

# I-7232D FAQ

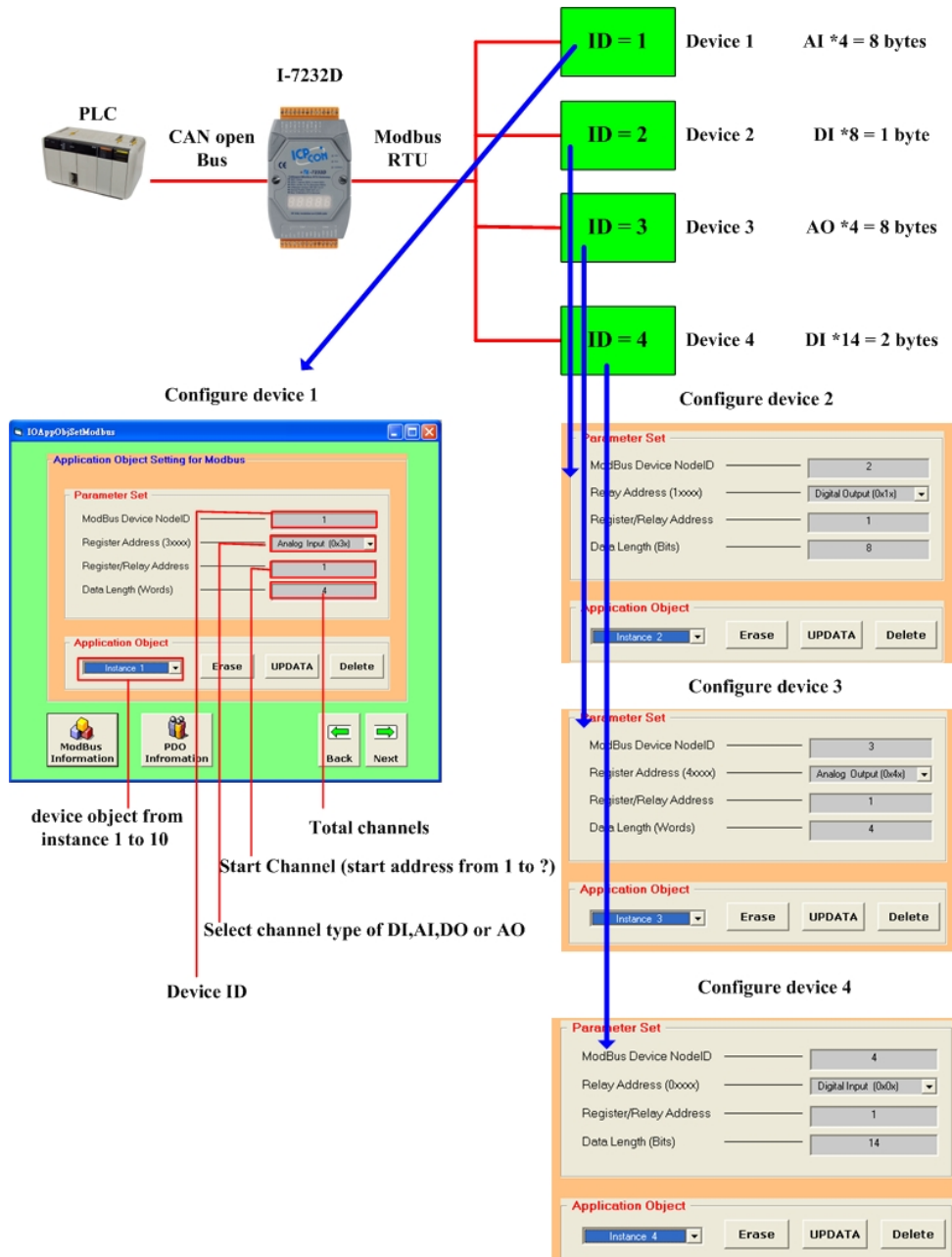
Q1.	How to configure the I-7232D Module? .....	2
Q2.	How to add multiple instances in I-7232D? .....	4
Q3.	May I use SCADA software with Modbus driver to control the CANopen device by using I-7232D? .....	7
Q4.	What type of the Modbus device could be connected with I-7232D?.....	7



## Q1. How to configure the I-7232D Module?

**A:**

I-7232D supports 4 TxPDO and RxPDO of default. If user wants to use more than 4 TxPDO or RxPDO that user have to use dynamic PDO to create some PDO (in the page 124 of I7232D's user manual).I show the I-7232D configuration as follow. Please reference to it.



Rx/TxPDO Parameters

Setting Result

ID

Data 0 Data 1

Receive PDO Transmit PDO

PDO NO.	COB-ID (Hex)	Transmission Type	Inhibit Time	Event Time	Mapping 0	Mapping 1
1	204	255 Reversed	255	Reversed	0x2:0000~0007	
2	304	255 Reversed	255	Reversed	0x3:0	0x3:0
3	404	255 Reversed	255	Reversed		
4	504	255 Reversed	255	Reversed		

DO Channel from 0 to 7

AO Channel from 0 to 3

Rx/TxPDO Parameters

Setting Result

ID

Data 0 Data 1

Receive PDO Transmit PDO

PDO NO.	COB-ID (Hex)	Transmission Type	Inhibit Time	Event Time	Mapping 0	Mapping 1
1	184	255	255	0 0	0x4:0000~0007	0x4:0008~0013
2	284	255	255	0 0	0x1:0	0x1:0
3	384	255	255	0 0		
4	484	255	255	0 0		

DI Channel from 0 to 13

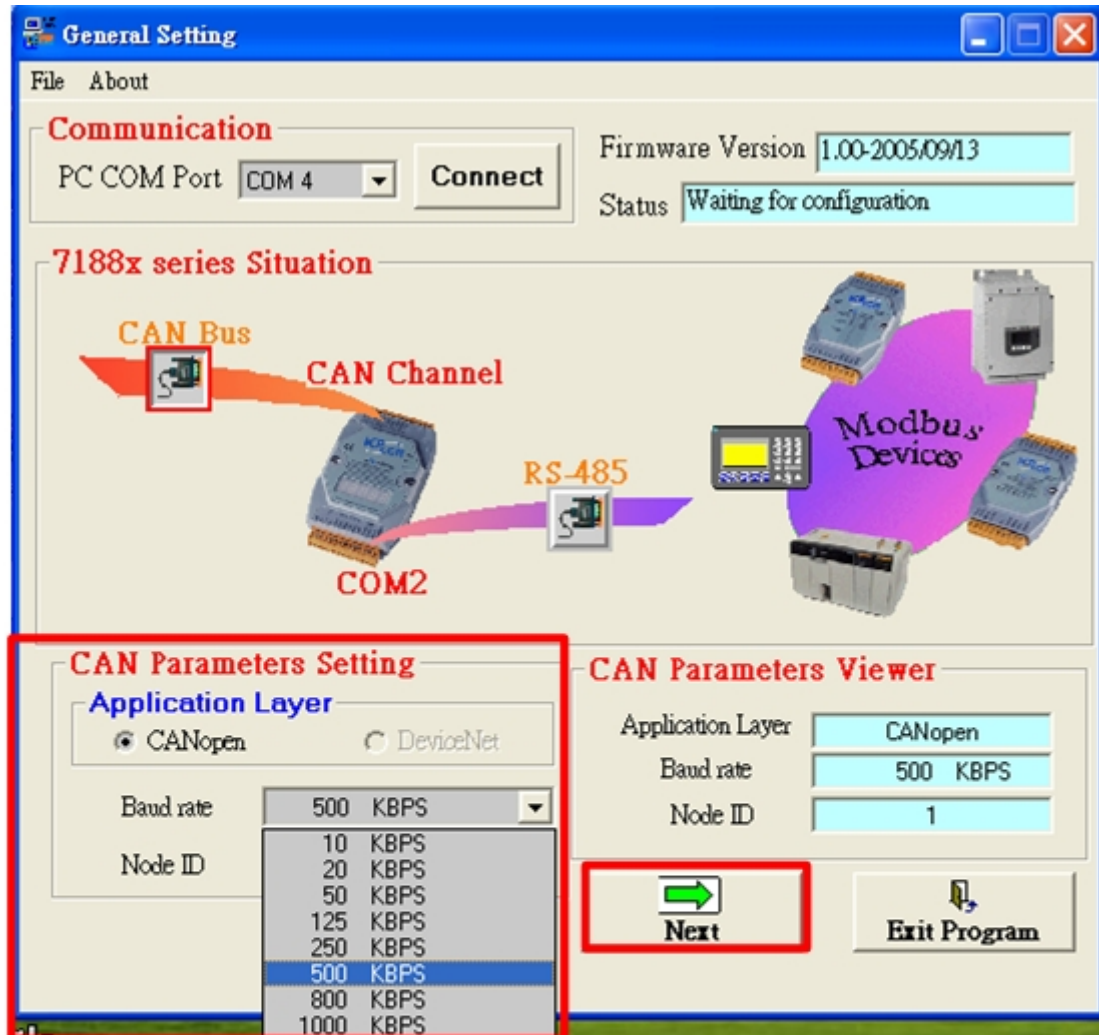
AI Channel from 0 to 3

(2011/1/5, Hugo)

## Q2. How to add multiple instances in I-7232D?

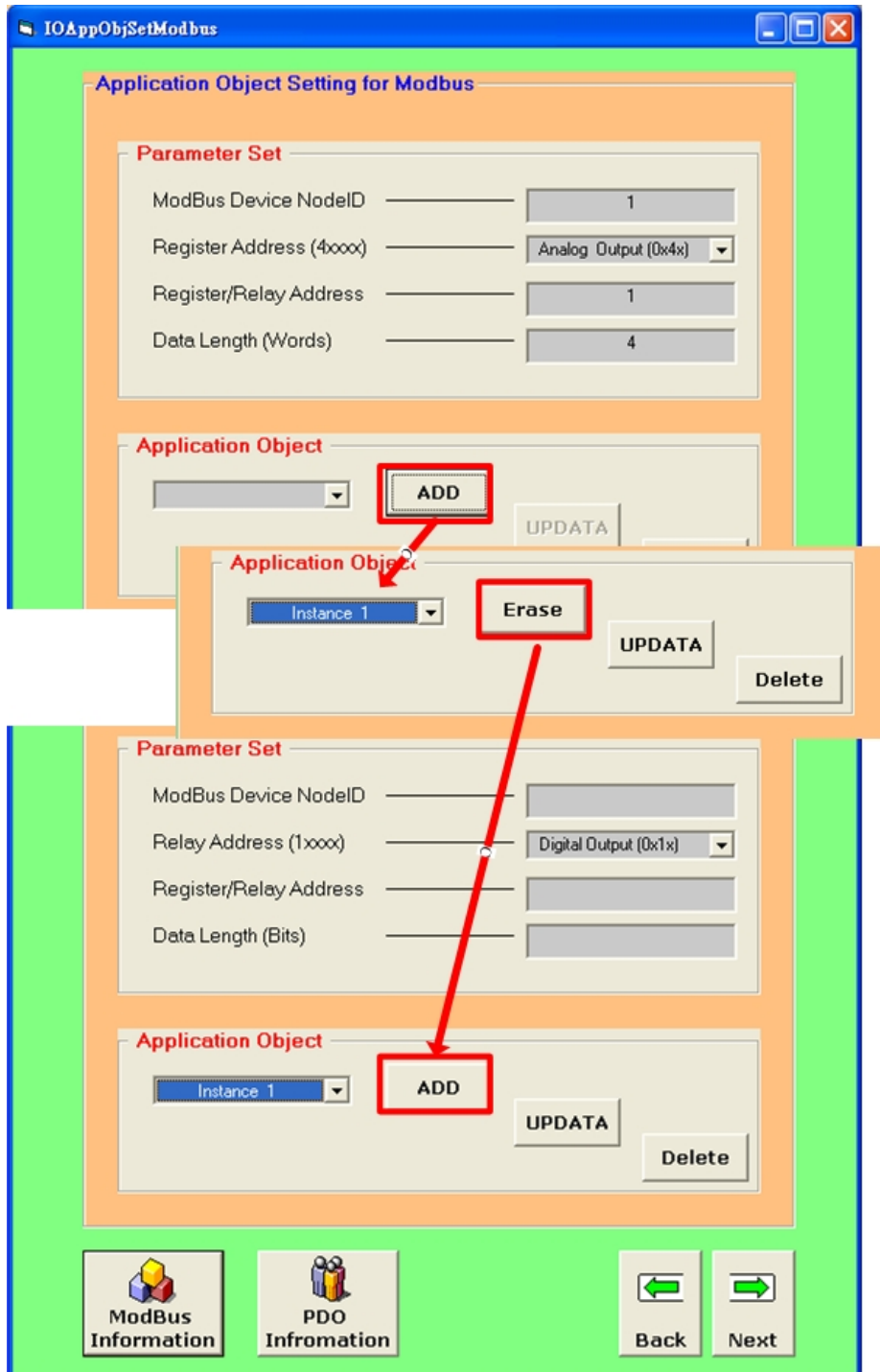
A:

1. Configuring the I-7232D baud rate and node id, then push the “Next” button to next step, as follows.

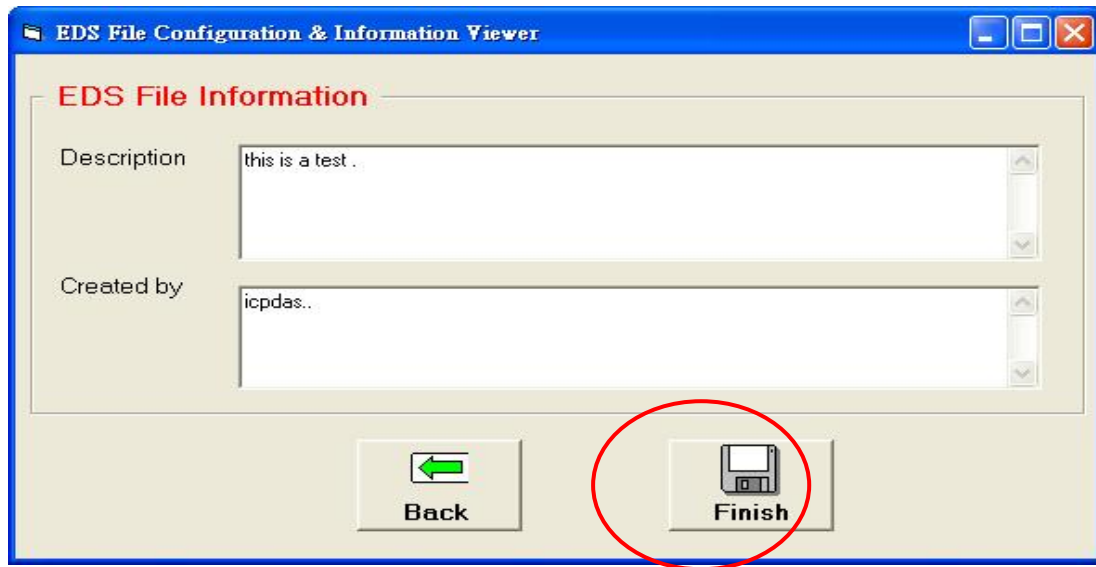


Select I-732D CANopen network baud rate and node id.

2. User can input the parameter and push the “ADD” button to add one instance. If the user want to add other instance after, the user have to push the “Erase” button for add other instance continually. When the user setting the parameters ok. Please push the “Next” button to next step, as follows.



3. If everything is ok, click the “Finish” button to create the EDS file and save the related information into the EEPROM of the I-7232D.



(2011/1/5, Hugo)

**Q3. May I use SCADA software with Modbus driver to control the CANopen device by using I-7232D?**

**A:**

No. Because the I-7232D is the Modbus RTU Master/CANopen Slave device, and the above structure is Modbus RTU Slave/CANopen Master application, it doesn't work. The suitable device is GW-7433D.

(2011/1/5, Bear)

**Q4. What type of the Modbus device could be connected with I-7232D?**

**A:**

I-7232D is regard as a Modbus master device and supports standard Modbus RTU interface and standard I/O function code. If users' Modbus slave devices support the standard Modbus RTU interface and standard I/O function code, the I-7232D will be useful.

(2011/1/5, Bear)